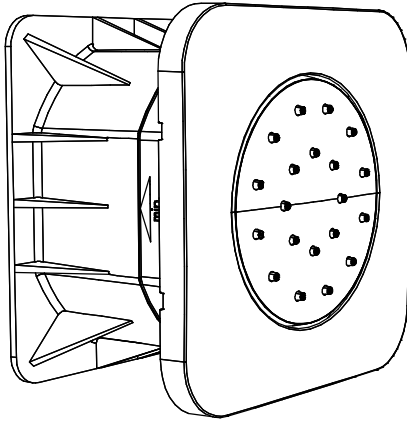


**196.6410 | 1/2" Body Jet With Concealed Valve - Round**



**SPECIFICATIONS:**

- 1.05 GPM Flow Rate @ 60 PSI
- Includes Concealed In-Wall Valve
- 20 Degree swivel directional angle

**FINISHES :**

- Chrome - 196.6410CP, Brushed Nickel - 196.6410BN

**STANDARDS:**

- ASME A112.18.1 / CSA B125.1

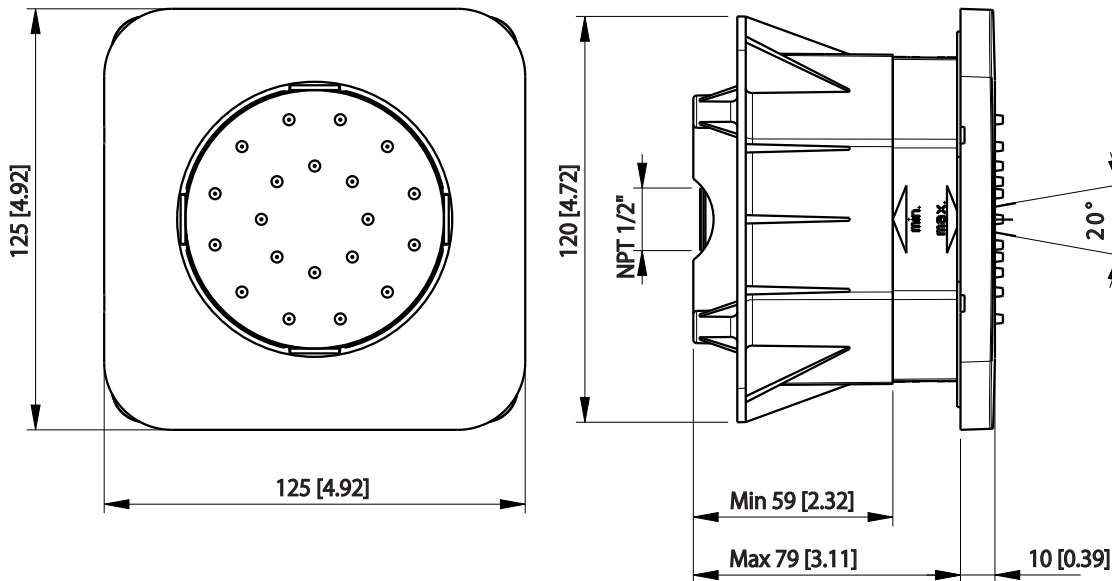
Legislation Compliance



ZeroDrip Technology

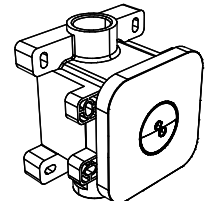


**Technical Diagram**



**SEE ALSO:**

1) 196.6415 (1/2" Spin Jet)



2) 196.6435 (1/2" Spin Jet)

